

	1
	1
	
1-1	
1-1	
1-	
1-	
1-	
1-	11
1-	1
1-	1
1-	1
1-	1
1-10	1
1-11	
1-1	
1-1	
1-1	
1-1	
1-1	0
1-1	
1-1	
	
-1	
-1	
-	0
-	1
-	
-	
-	
-	
-	1
-10	
-11	
-1	
-1	
-1	1
-1	
-1	
-1	
-1	
	0

[2014] 55

- 1.
- 2.
- 3.
- 4.

--

--

		1-1	1	1-1	1-1
		-1	1	-1	-1
		-1	1	-1	-1

1

I/O

C

/

Kei I C

2

1

/ /

Kei I C

MCU

/ /

2

6S (

)

/

3

120

4

20		10	0	
				1
				2
		10		3
				4
			5	

10

5

30

1



2

PCB

E

3

1



2

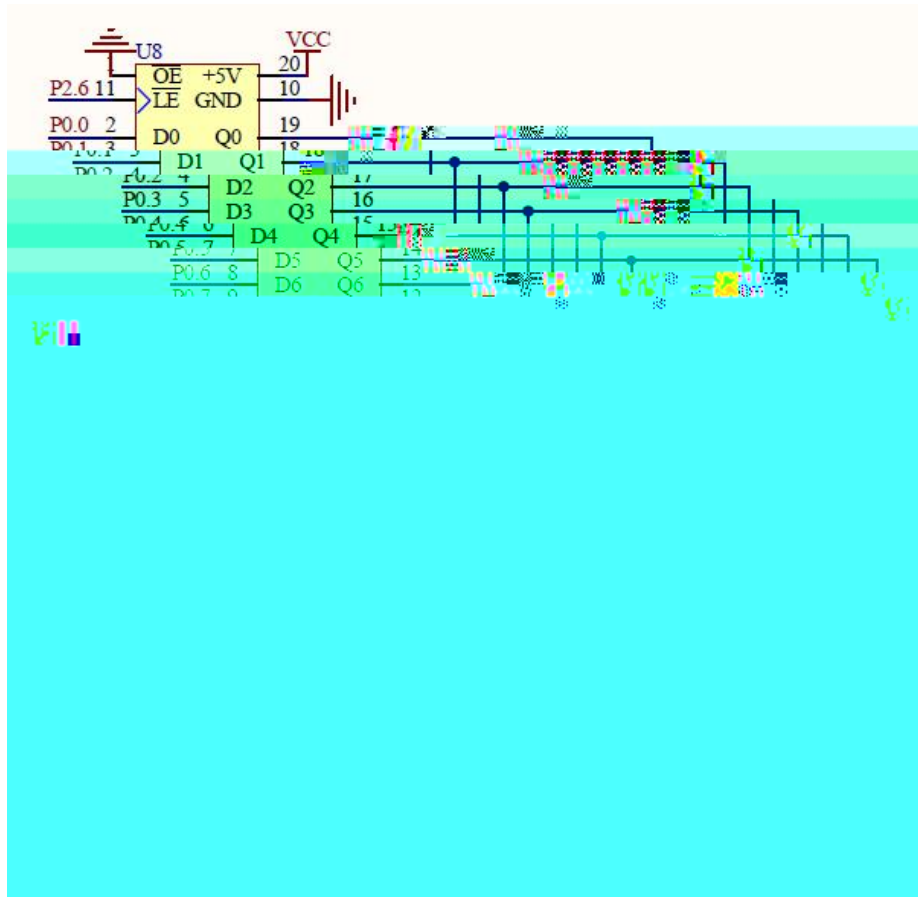
PCB
E

3

3

1

1

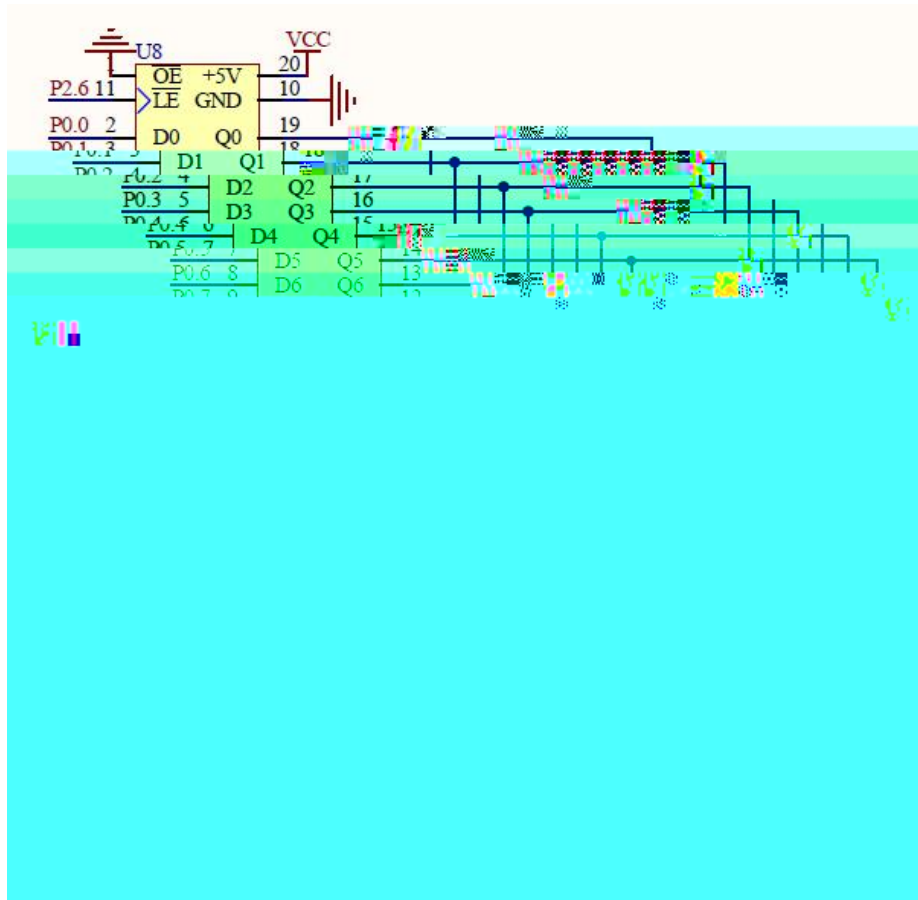


2

PCB
E

3

1



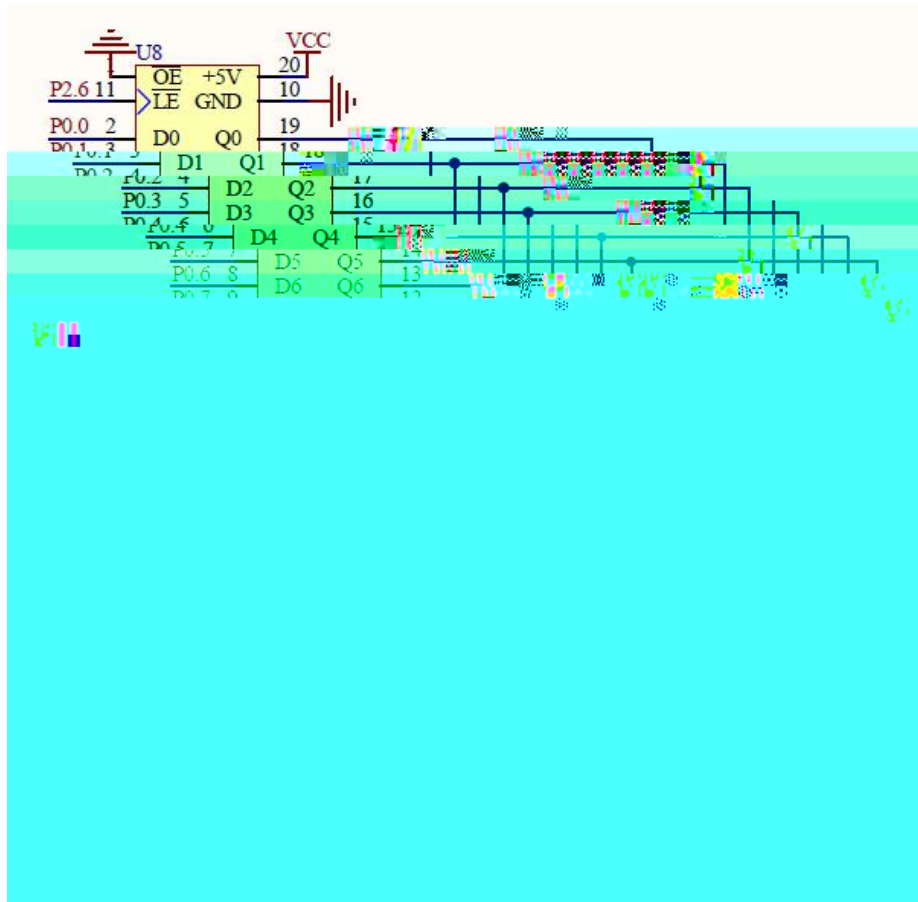
2

PCB

E

3

1



2

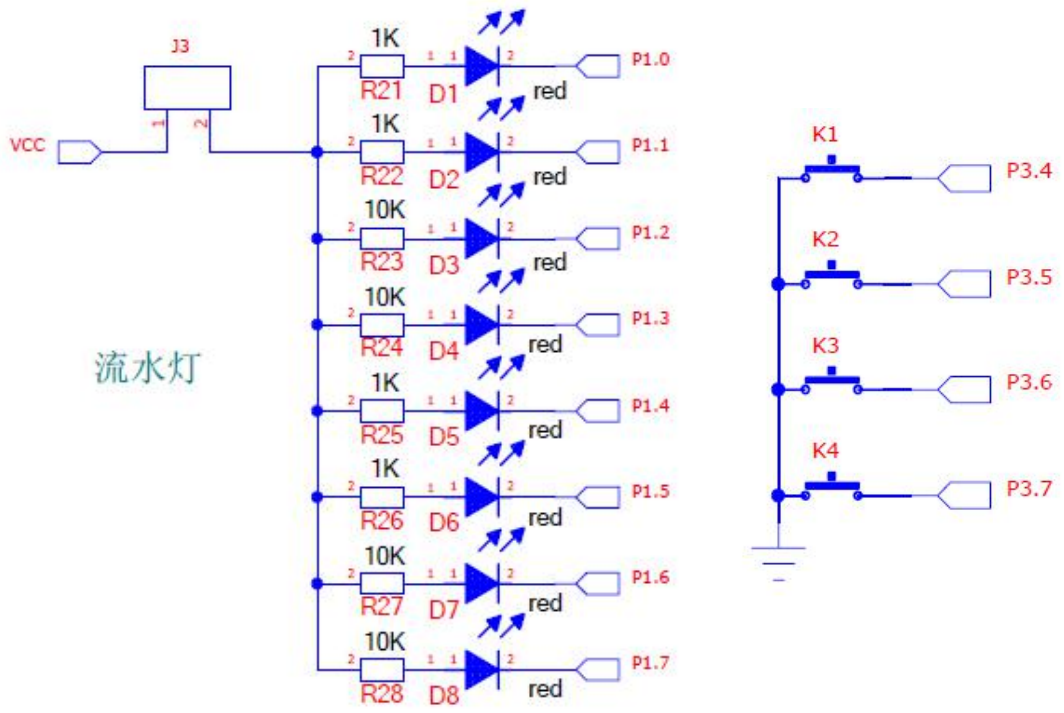
PCB

E

3

1

K1 D1 D2 D3 D4 K2 D5 D6 D7 D8 K3 8
 K4 8



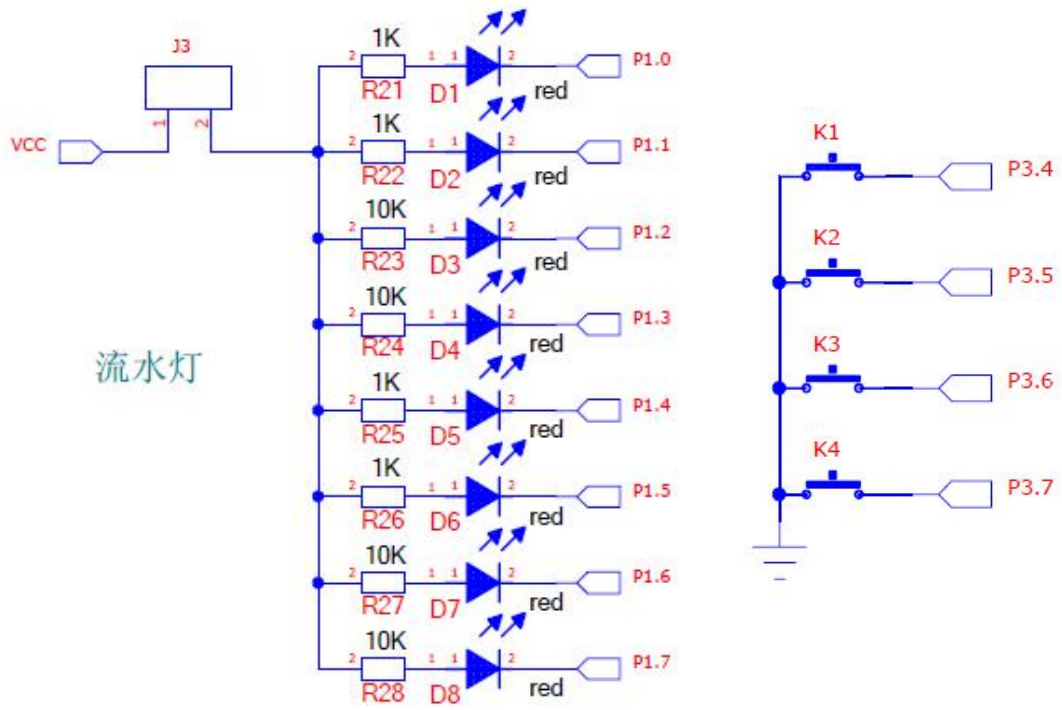
2

PCB
E

3

1

K1 8



2

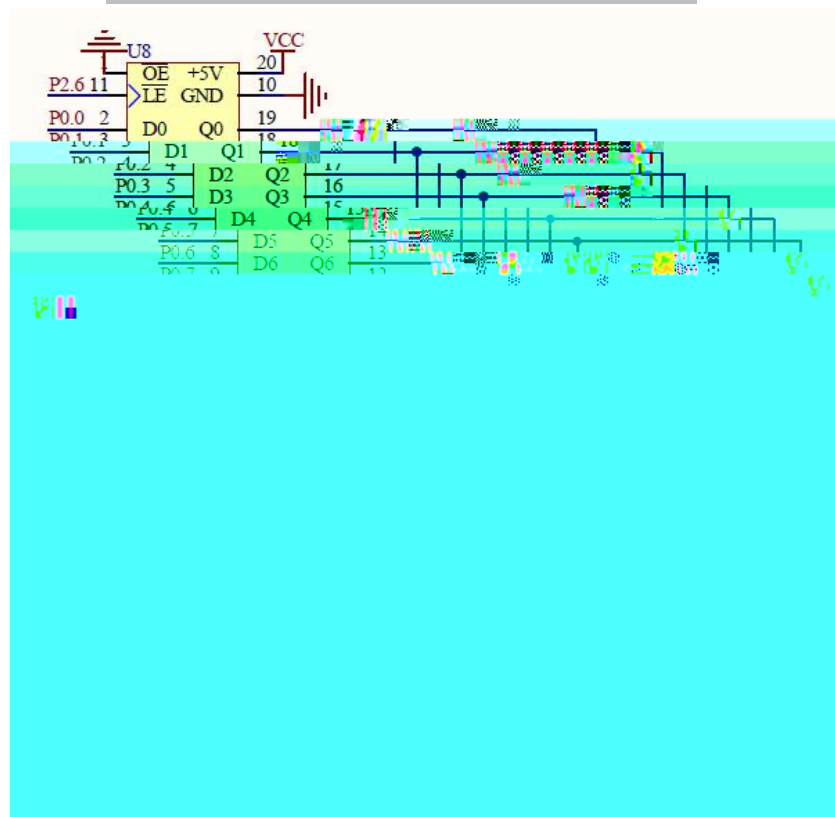
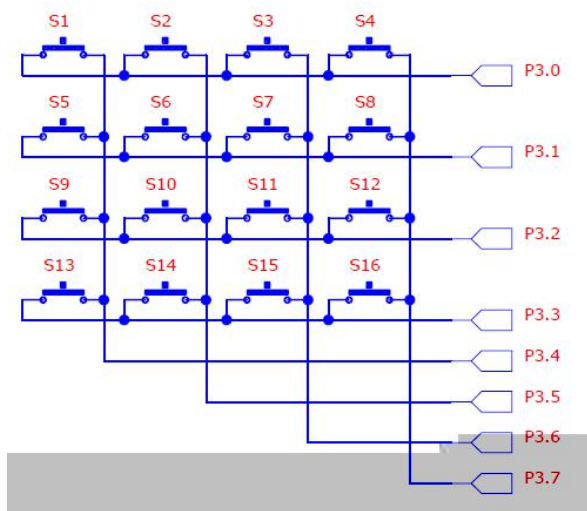
PCB
E

3

1

S1-S16

O-F



2

PCB

E

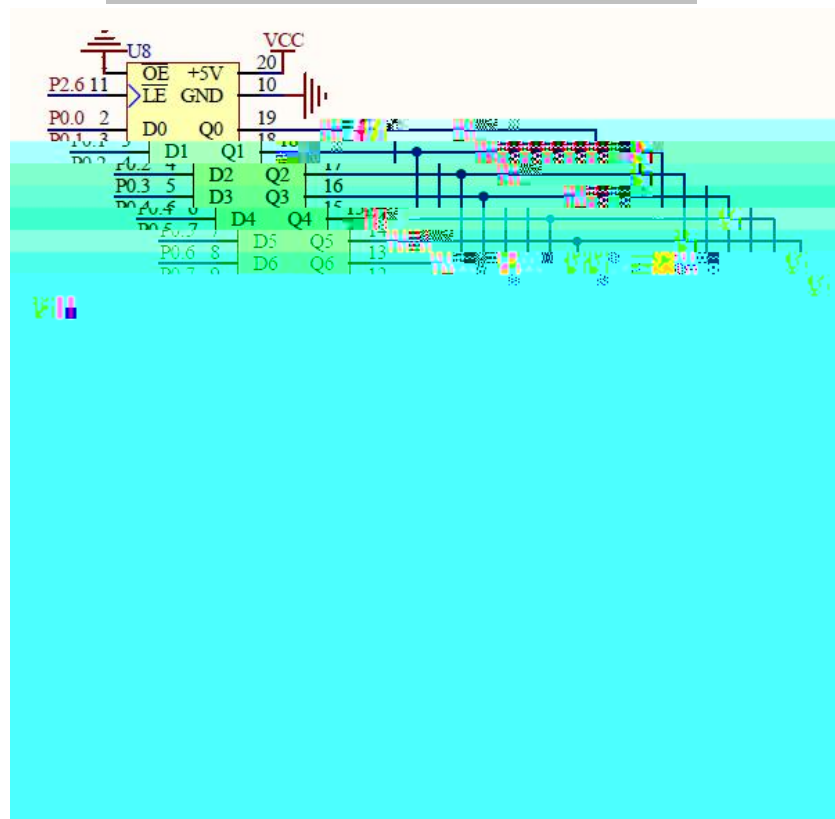
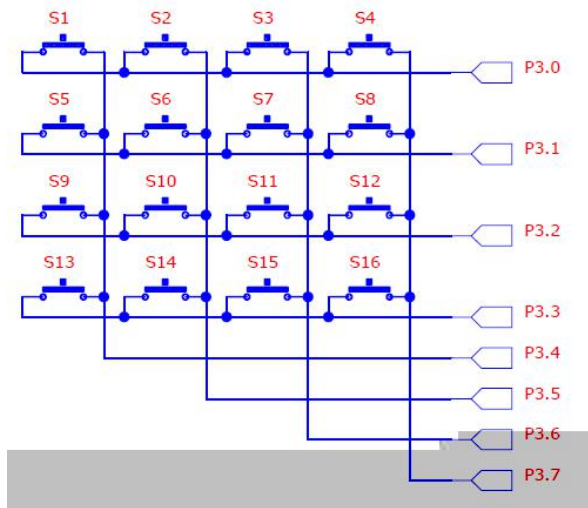
3

1

P3.2

9 0

1



2

PCB

E

3

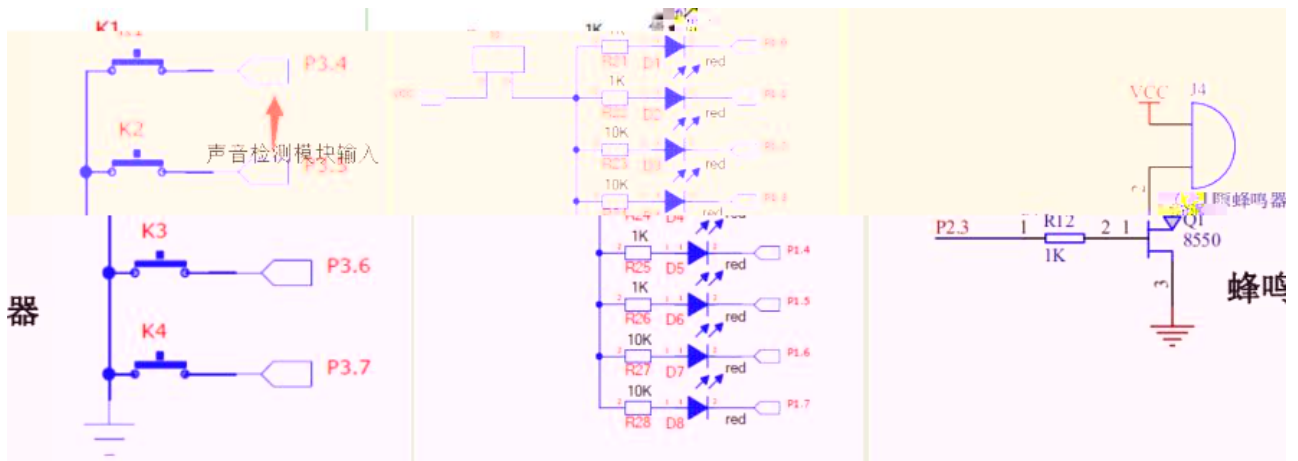
1

P3.4

1

P3.4

D1



1

2

PCB

E

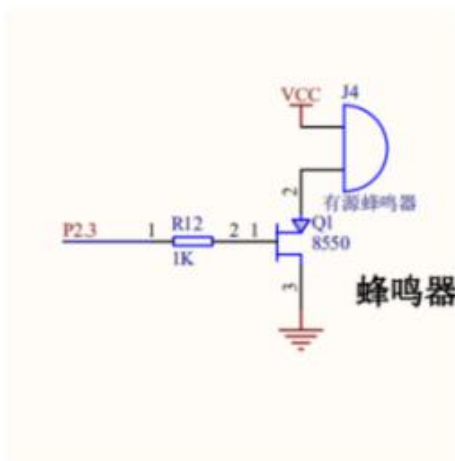
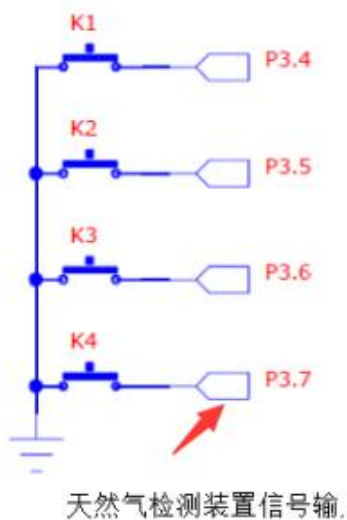
3

1

P3.7

1

P3.7



1

2

PCB
E

3

1

1

K1

D1

K2

D2



1

2

PCB

E

3

1

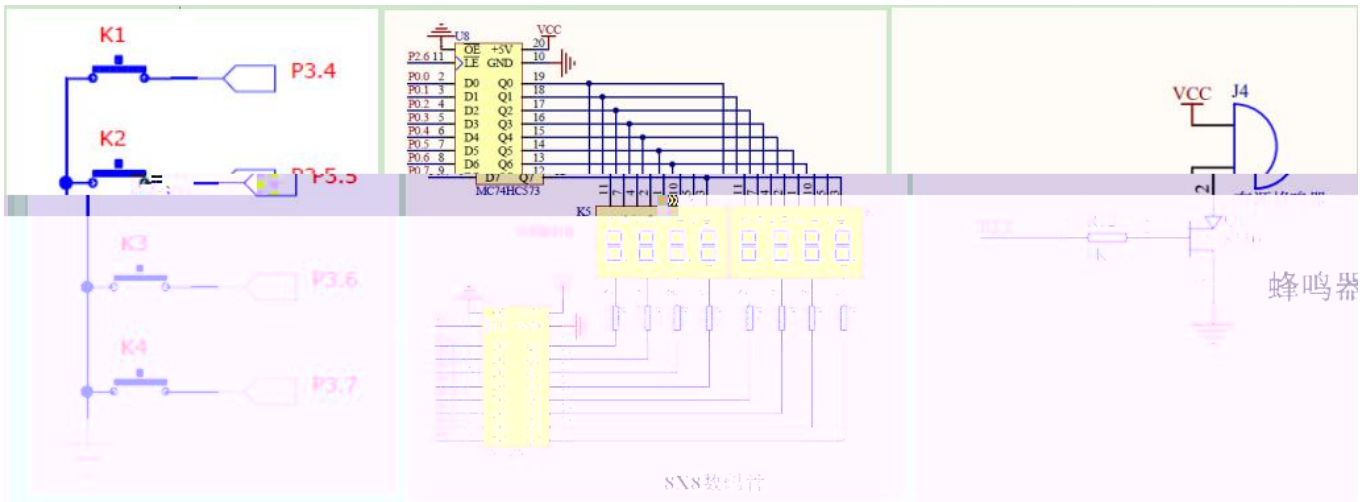
1

K1

K2 K3 K4

K1

" 1"



2

PCB

E

3

1

2



2

PCB

E

3

1

1

P3.6

P3.6



1

2

PCB

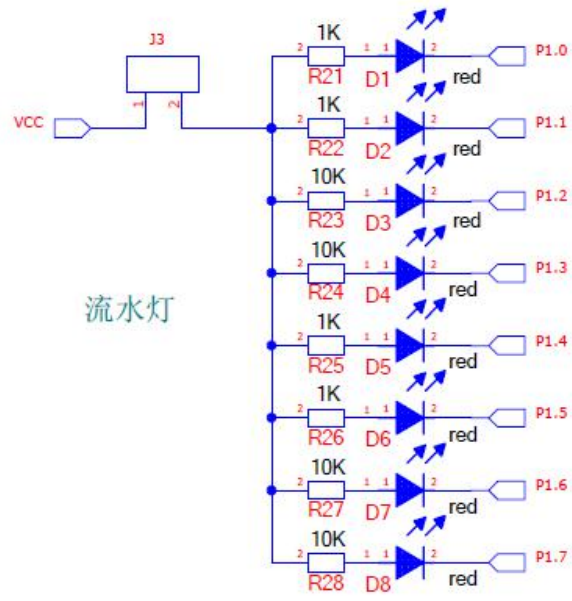
E

3

0

1

0.5S 0.5S



2

PCB

E

3

1

K1

D1-D4

K2

D5-D8



2

PCB

E

3

1

/ /

1

/ /

/ /

()

/

1 0

20		10			0	
			1			
		10	2			
			3			

			4	
			5	
30		10		
		5		
		5		
		10		
50		5		
		5	1 2	PCB
		10		
		15	1 2 3	
		15		

5

18

1



2

3

1



2

3

1



2

3

1



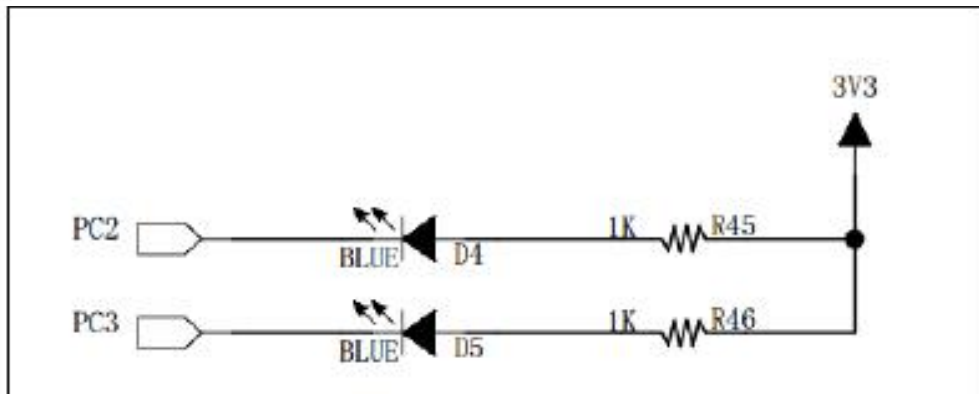
2

3

1



2



3

1

1	VBAT	VDD	64
2	PC13/ANT1	VSS	63
3	PC14/OSC32	PB9/TIM4_CH4/SDIO_D5	62
4	PC15/OSC32	PB8/TIM4_CH3/SDIO_D4	61
5	PD0/OSCIN	...	60
6	PD1/OSCAUT	...	59
7	NRST	PB7/I2C1_SDA/TIM4_CH2	58
8	PC0/ADC10	PB6/I2C1_SCL/TIM4_CH1	57
9	PC1/ADC11	PB5/I2C1_SMBA/SPI3_MOSI/I2S3_SD	56
10	PC2/ADC12	PB4/JNTRST/SPI3_MISO	55
11	PC3/ADC13	PB3/JTDO/SPI3_SCK/I2S3_CK	54
12	VSSA	PD2/U5_RX/TIM3_ETR/SDIO_CMD	53
13	VDDA	PC12/U5_TX/SDIO_CK	52
14	PA0/WKUP/ADC0/TIM2_CH1_ETR/TIM5_CH1/TIM8_ETR	PC11/U4_RX/SDIO_D3	51
15	PA1/ADC1/TIM2_CH2/TIM5_CH2	PC10/U4_TX/SDIO_D2	50
16	PA2/U2_TX/ADC2/TIM2_CH3/TIM5_CH3	PA15/JTDI/SPI3_NSS/I2S3_WS	49
17	PA3/U2_RX/ADC3/TIM2_CH4/TIM5_CH4	PA14/JTCK/SWCLK	48
18	VDD	VDD	4
19	VSS	VSS	5
20	PA4/ADC0/ADC0/DAC1	PA13/TIM8_CH3	6
21	PA5/ADC0/ADC0/DAC1	PA12/TIM8_CH2	7
22	PA6/ADC0/ADC0/DAC1	PA11/TIM8_CH1	8
23	PA7/ADC0/ADC0/DAC1	PA10/TIM8_CH0	9
24	PA8/ADC0/ADC0/DAC1	PA9/TIM8_CH0	10
25	PA9/ADC0/ADC0/DAC1	PA8/TIM8_CH0	11
26	PA10/ADC0/ADC0/DAC1	PA7/TIM8_CH0	12
27	PA11/ADC0/ADC0/DAC1	PA6/TIM8_CH0	13
28	PA12/ADC0/ADC0/DAC1	PA5/TIM8_CH0	14
29	PA13/ADC0/ADC0/DAC1	PA4/TIM8_CH0	15
30	PA14/ADC0/ADC0/DAC1	PA3/TIM8_CH0	16
31	PA15/ADC0/ADC0/DAC1	PA2/TIM8_CH0	17
32	PA16/ADC0/ADC0/DAC1	PA1/TIM8_CH0	18
33	PA17/ADC0/ADC0/DAC1	PA0/TIM8_CH0	19
34	PA18/ADC0/ADC0/DAC1	PA15/TIM8_CH0	20
35	PA19/ADC0/ADC0/DAC1	PA14/TIM8_CH0	21
36	PA20/ADC0/ADC0/DAC1	PA13/TIM8_CH0	22
37	PA21/ADC0/ADC0/DAC1	PA12/TIM8_CH0	23
38	PA22/ADC0/ADC0/DAC1	PA11/TIM8_CH0	24
39	PA23/ADC0/ADC0/DAC1	PA10/TIM8_CH0	25
40	PA24/ADC0/ADC0/DAC1	PA9/TIM8_CH0	26
41	PA25/ADC0/ADC0/DAC1	PA8/TIM8_CH0	27
42	PA26/ADC0/ADC0/DAC1	PA7/TIM8_CH0	28
43	PA27/ADC0/ADC0/DAC1	PA6/TIM8_CH0	29
44	PA28/ADC0/ADC0/DAC1	PA5/TIM8_CH0	30
45	PA29/ADC0/ADC0/DAC1	PA4/TIM8_CH0	31
46	PA30/ADC0/ADC0/DAC1	PA3/TIM8_CH0	32
47	PA31/ADC0/ADC0/DAC1	PA2/TIM8_CH0	33
48	PA32/ADC0/ADC0/DAC1	PA1/TIM8_CH0	34
49	PA33/ADC0/ADC0/DAC1	PA0/TIM8_CH0	35
50	PA34/ADC0/ADC0/DAC1	PA15/TIM8_CH0	36
51	PA35/ADC0/ADC0/DAC1	PA14/TIM8_CH0	37
52	PA36/ADC0/ADC0/DAC1	PA13/TIM8_CH0	38
53	PA37/ADC0/ADC0/DAC1	PA12/TIM8_CH0	39
54	PA38/ADC0/ADC0/DAC1	PA11/TIM8_CH0	40
55	PA39/ADC0/ADC0/DAC1	PA10/TIM8_CH0	41
56	PA40/ADC0/ADC0/DAC1	PA9/TIM8_CH0	42
57	PA41/ADC0/ADC0/DAC1	PA8/TIM8_CH0	43
58	PA42/ADC0/ADC0/DAC1	PA7/TIM8_CH0	44
59	PA43/ADC0/ADC0/DAC1	PA6/TIM8_CH0	45
60	PA44/ADC0/ADC0/DAC1	PA5/TIM8_CH0	46
61	PA45/ADC0/ADC0/DAC1	PA4/TIM8_CH0	47
62	PA46/ADC0/ADC0/DAC1	PA3/TIM8_CH0	48
63	PA47/ADC0/ADC0/DAC1	PA2/TIM8_CH0	49
64	PA48/ADC0/ADC0/DAC1	PA1/TIM8_CH0	50

2

3

1



2

3

1

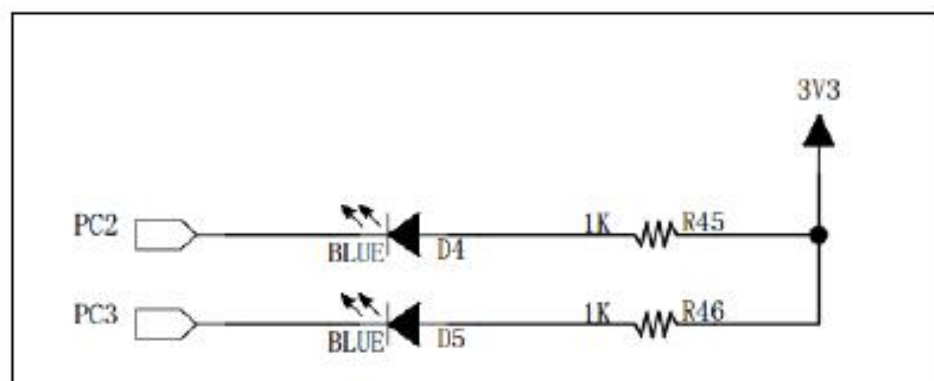
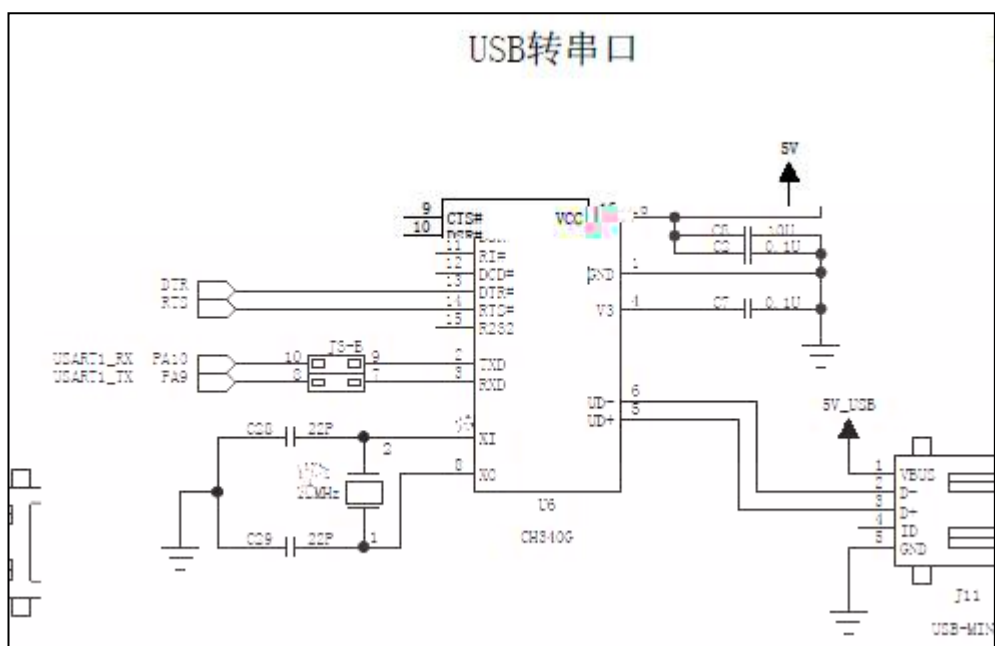
1	VBAT	VDD	64
2	PC13/ANT1	VSS	63
3	PC14/OSC32	PB9/TIM4_CH4/SDIO_D5	62
4	PC15/OSC32	PB8/TIM4_CH3/SDIO_D4	61
5	PD0/OSCIN	BOOT0	60
6	PD1/OSCCOUT	PB7/I2C1_SDA/TIM4_CH2	59
7	NRST	PB6/I2C1_SCL/TIM4_CH1	58
8	PC0/ADC10	PB5/I2C1_SMBA/SPI3_MOSI/I2S3_SD	57
9	PC1/ADC11	PB4/JNTRST/SPI3_MISO	56
10	PC2/ADC12	PB3/JTDC/SPI3_SCK/I2S3_CK	55
11	PC3/ADC13	PD2/U5_RX/TIM3_ETR/SDIO_CMD	54
12	VSSA	PC12/U5_TX/SDIO_CK	53
13	VDDA	PC11/U4_RX/SDIO_D3	52
14	PA0/WKUP/ADC0/TIM2_CH1_ETR/TIM5_CH1/TIM8_ETR	PC10/U4_TX/SDIO_D2	51
15	PA1/ADC1/TIM2_CH2/TIM5_CH2	PA15/JTDI/SPI3_NSS/I2S3_WS	50
16	PA2/U2_TX/ADC2/TIM2_CH3/TIM5_CH3	PA14/JTCK/SWCLK	49
17	PA3/U2_RX/ADC3/TIM2_CH4/TIM5_CH4	VDD	4
18	PA4	VDD	5
19	PA5	VDD	6
20	PA6	VDD	7
21	PA7	VDD	8
22	PA8	VDD	9
23	PA9	VDD	10
24	PA10	VDD	11
25	PA11	VDD	12
26	PA12	VDD	13
27	PA13	VDD	14
28	PA14	VDD	15
29	PA15	VDD	16
30	PC0	VDD	17
31	PC1	VDD	18
32	PC2	VDD	19
33	PC3	VDD	20
34	PC4	VDD	21
35	PC5	VDD	22
36	PC6	VDD	23
37	PC7	VDD	24
38	PC8	VDD	25
39	PC9	VDD	26
40	PC10	VDD	27
41	PC11	VDD	28
42	PC12	VDD	29
43	PC13	VDD	30
44	PC14	VDD	31
45	PC15	VDD	32
46	PD0	VDD	33
47	PD1	VDD	34
48	PD2	VDD	35
49	PD3	VDD	36
50	PD4	VDD	37
51	PD5	VDD	38
52	PD6	VDD	39
53	PD7	VDD	40
54	PD8	VDD	41
55	PD9	VDD	42
56	PD10	VDD	43
57	PD11	VDD	44
58	PD12	VDD	45
59	PD13	VDD	46
60	PD14	VDD	47
61	PD15	VDD	48
62	PE0	VDD	49
63	PE1	VDD	50
64	PE2	VDD	51
65	PE3	VDD	52
66	PE4	VDD	53
67	PE5	VDD	54
68	PE6	VDD	55
69	PE7	VDD	56
70	PE8	VDD	57
71	PE9	VDD	58
72	PE10	VDD	59
73	PE11	VDD	60
74	PE12	VDD	61
75	PE13	VDD	62
76	PE14	VDD	63
77	PE15	VDD	64

2

3



1

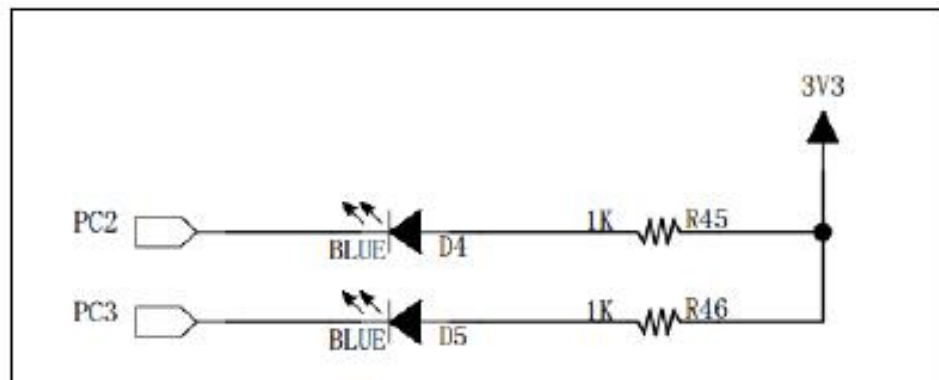
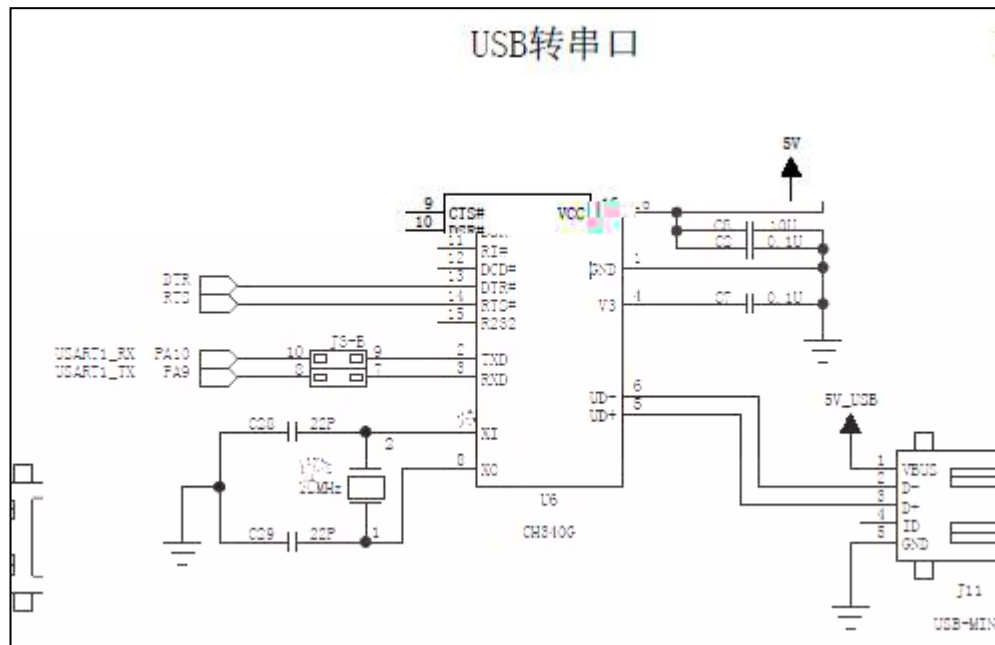


2

3

-

1

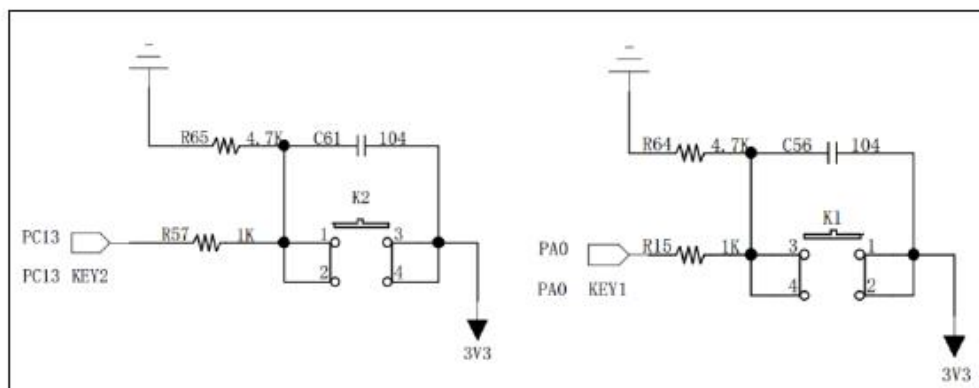
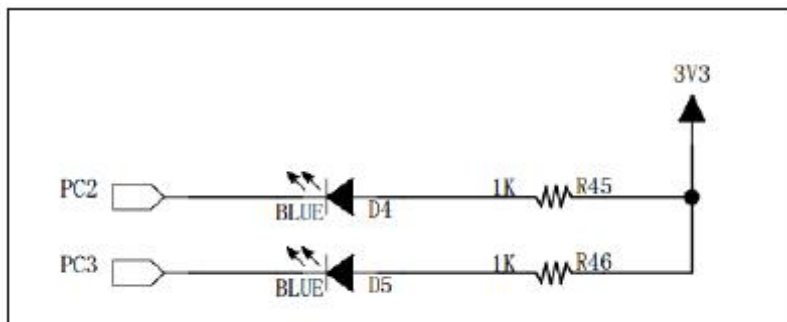


2

3

-

g

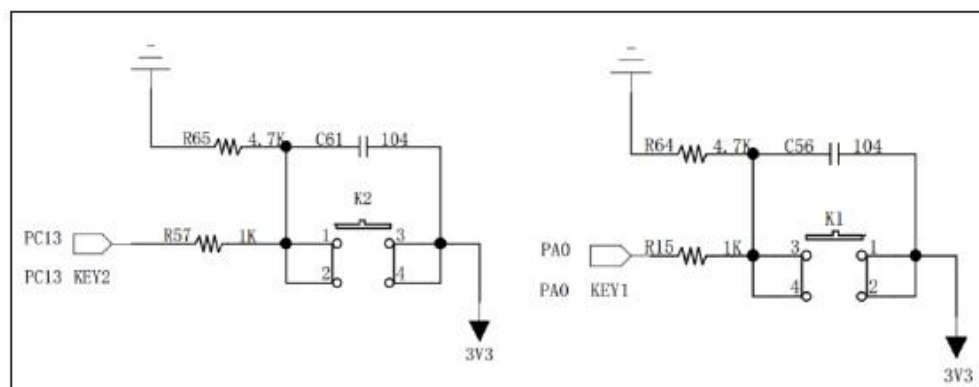
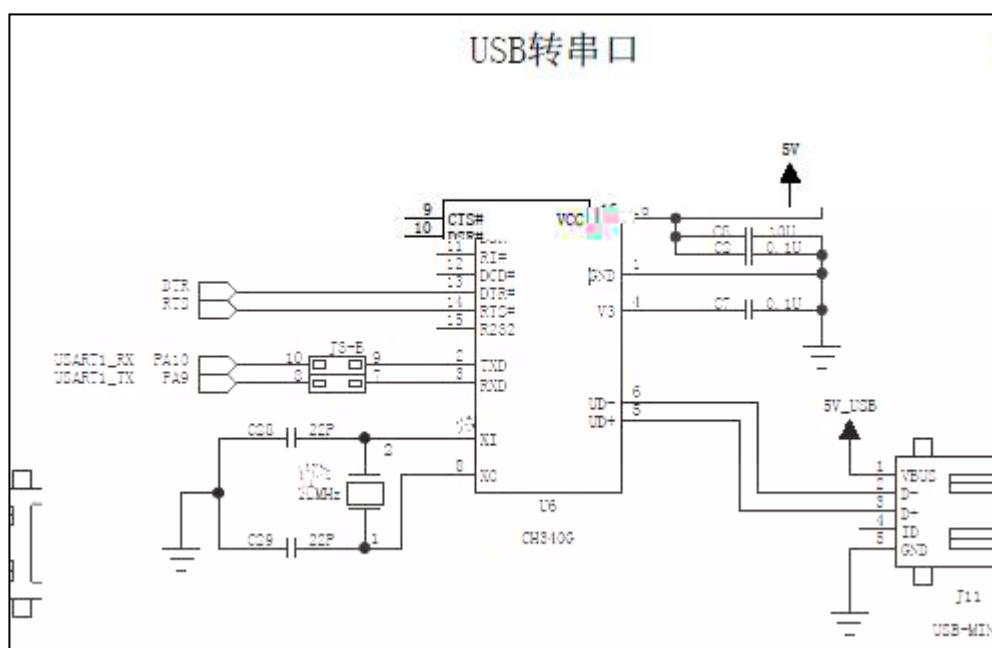


2

3

-

1

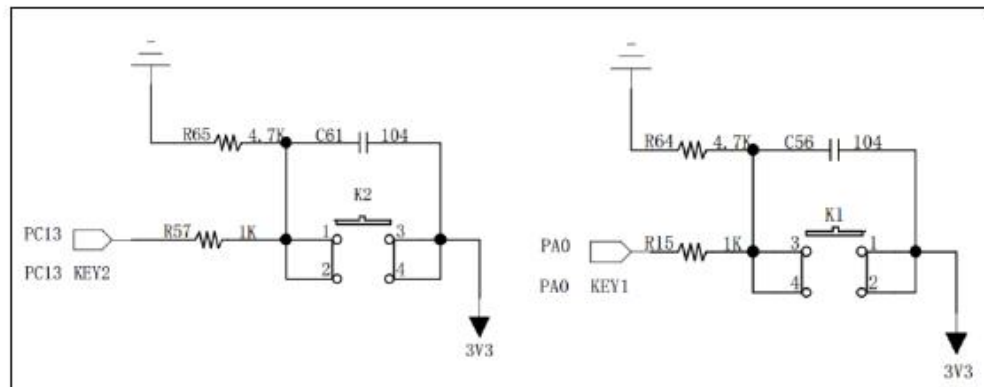
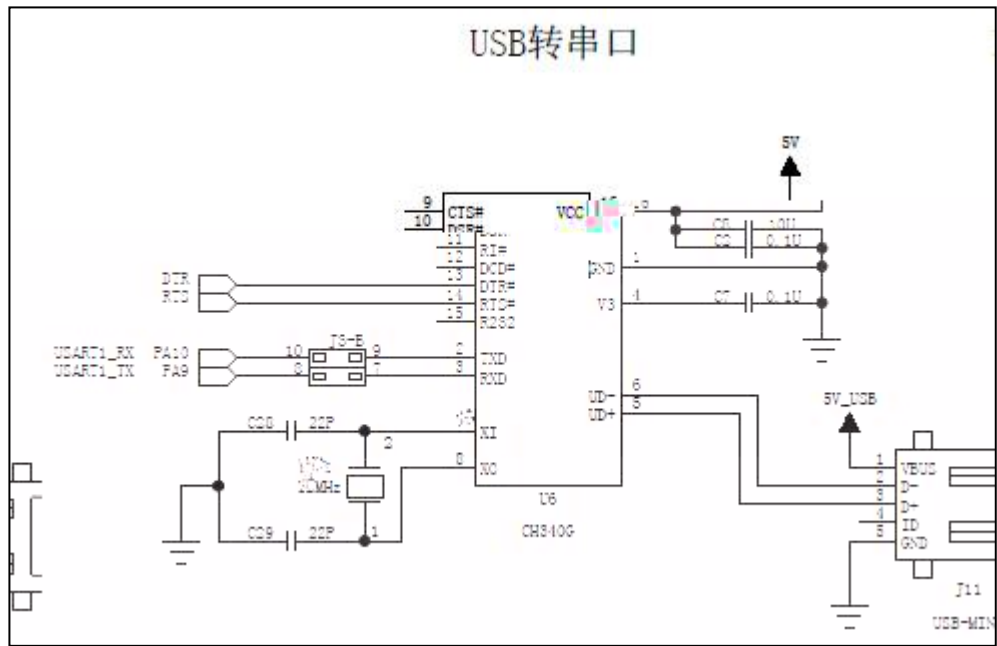


2

3

-

1



2

3

-

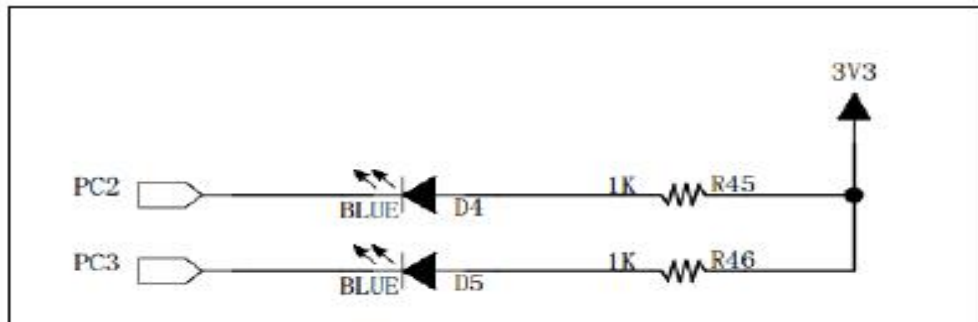


2

3

-

1



2

3

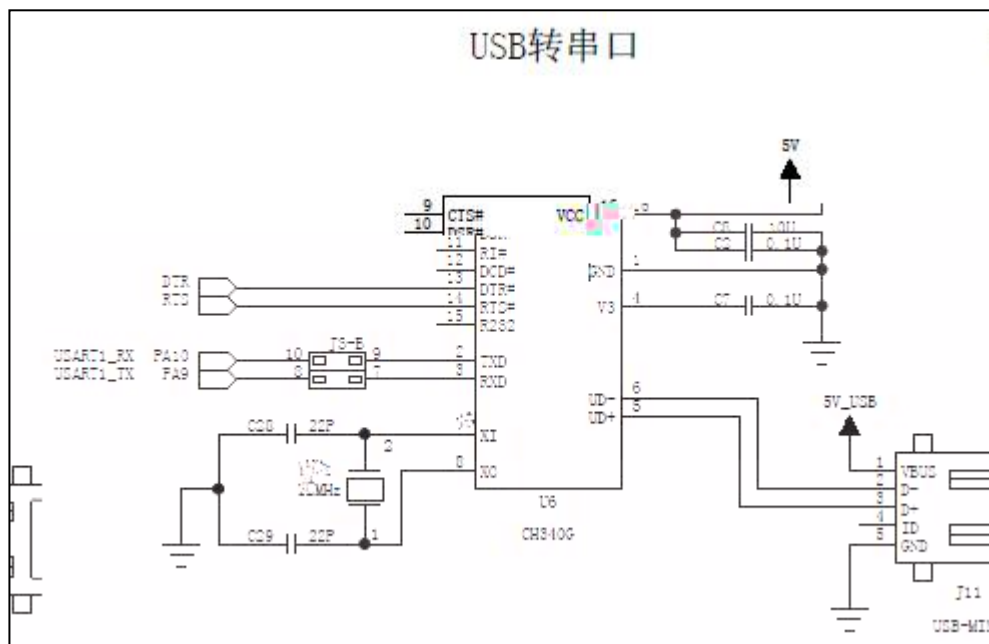


2

3

-

1



2

3

-

1

1

/ /

.0

/ /

()

/

1 0

20		10			0	
			6			
			7			
		10	8			
			9			

			10	
30				
		10		
		10		
50				
		10		

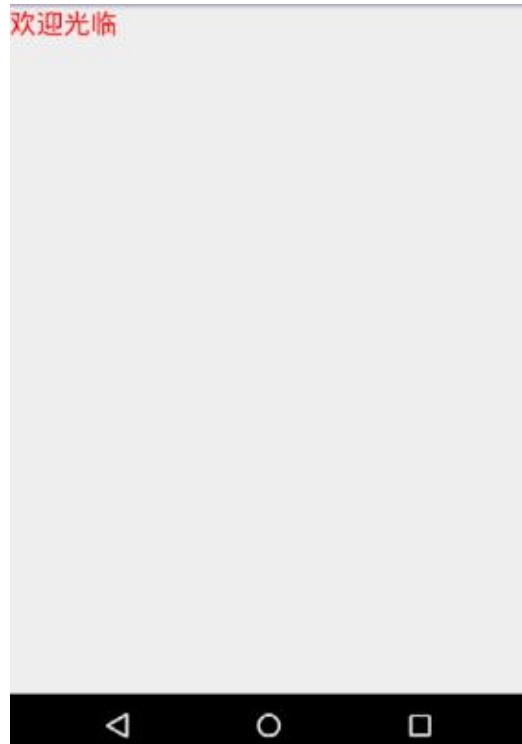
5

18

1
2

20sp

RGB #FF0000



3 :

2
1



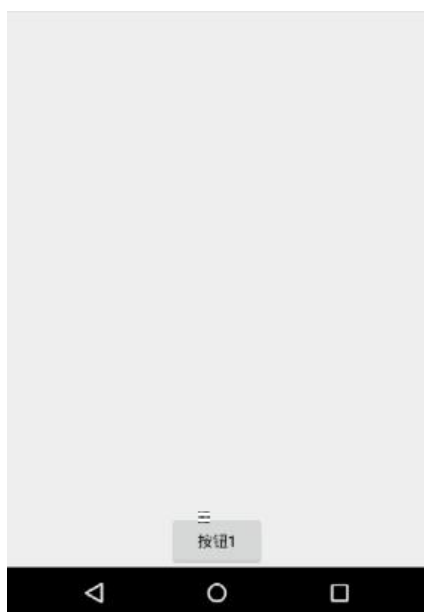
3 :

1

2

1

2



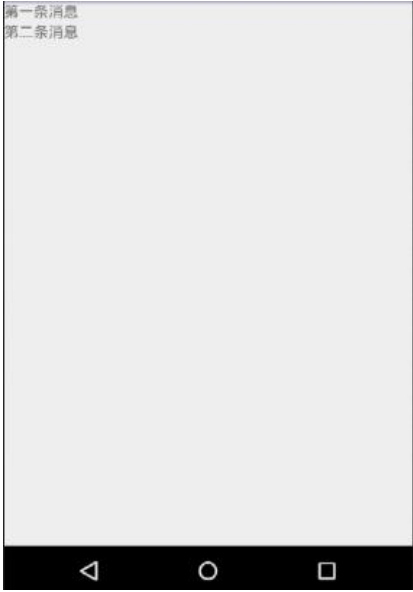
3

:

TextView

2

1



3

1

2



3

2

1

2



3

1

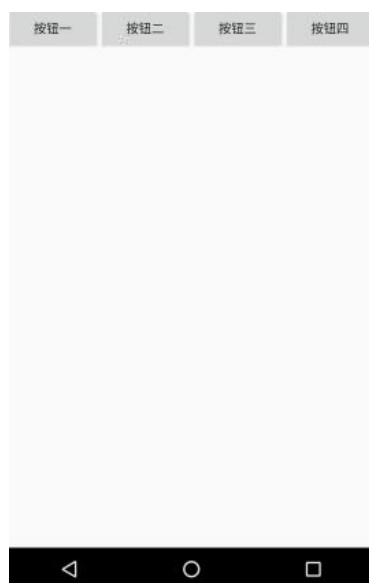
1 1 1 1

2

1

2

1 1 1 1



3

1

2

1



3

1

2

1

2



3

1

2

1

2

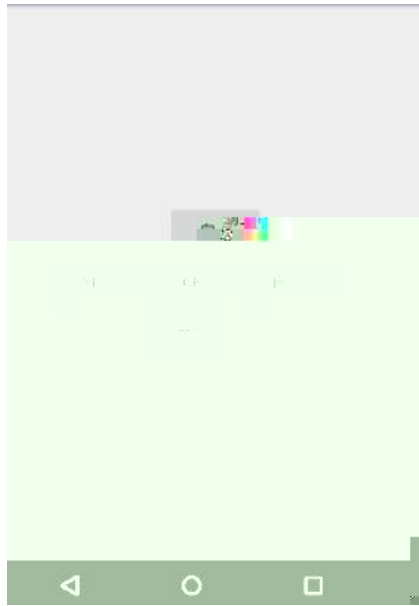


3

1

2

1



3

1

LED

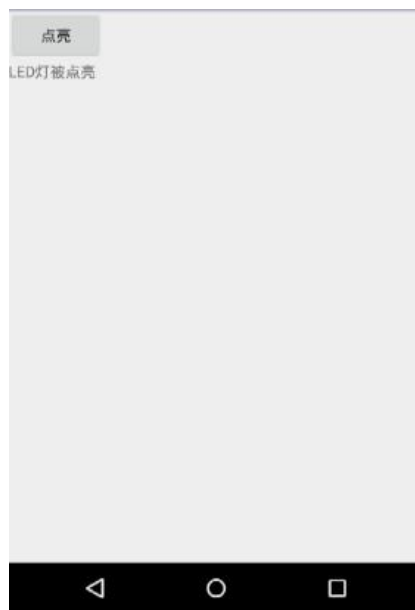
2

1

2

3

TextView LED



3

1

LED

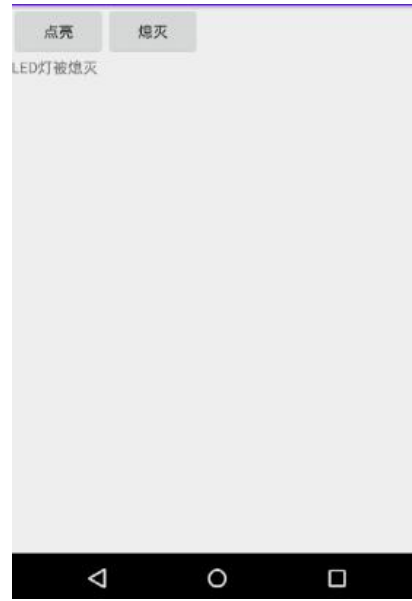
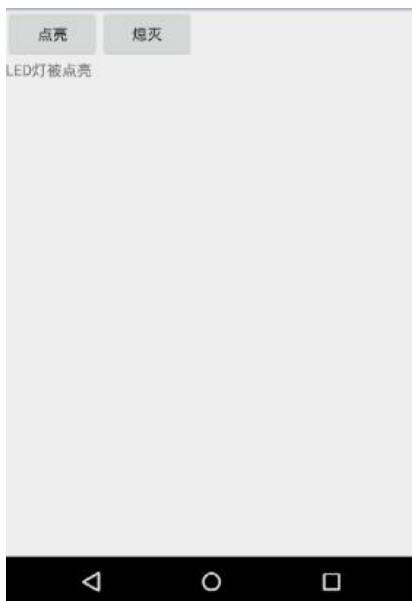
2

1

2

3

TextView LED



3

1

LED

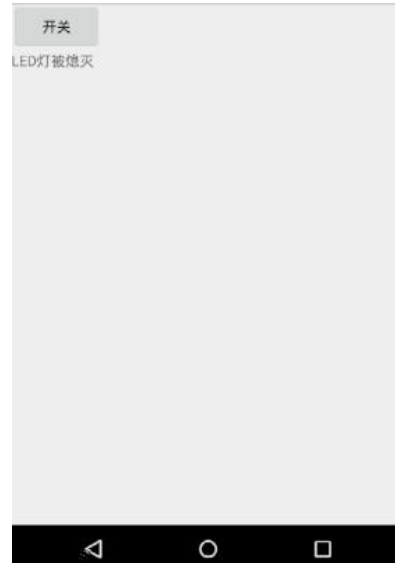
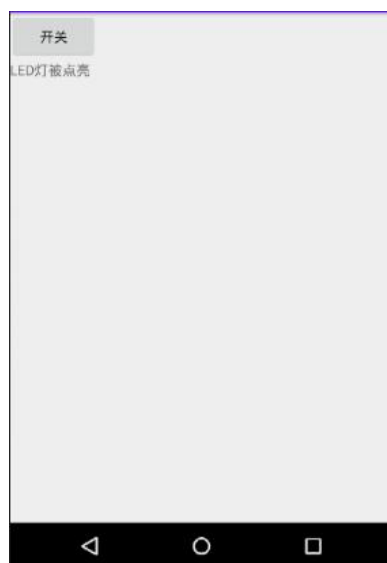
2

1

2

3

TextView LED



3

1

LED

2

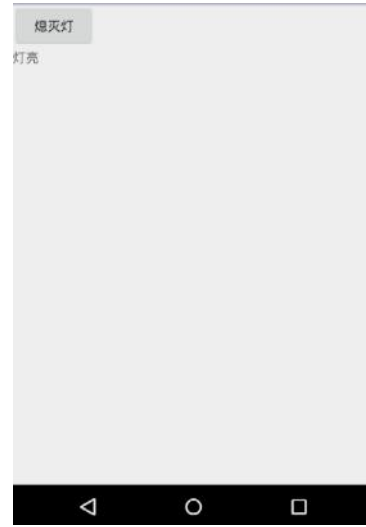
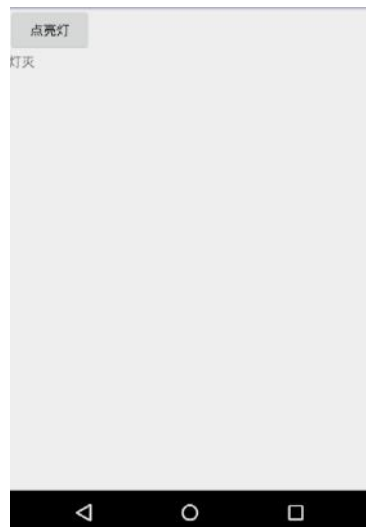
1

2

3

4

TextVi ew



3

1

LED

2

1

2

3

4

ImageView

30dp*30dp



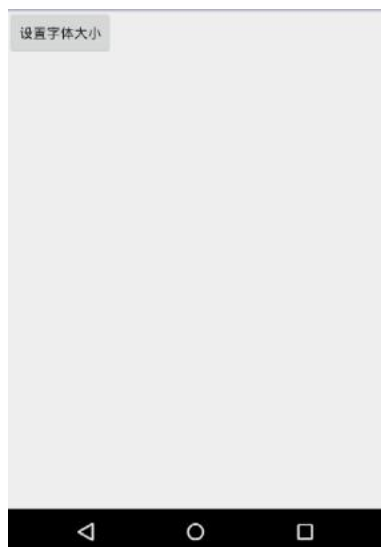
3

1

2

1

2



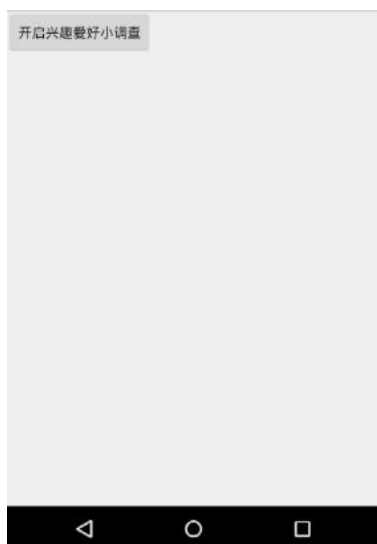
3

1

2

1

2



3